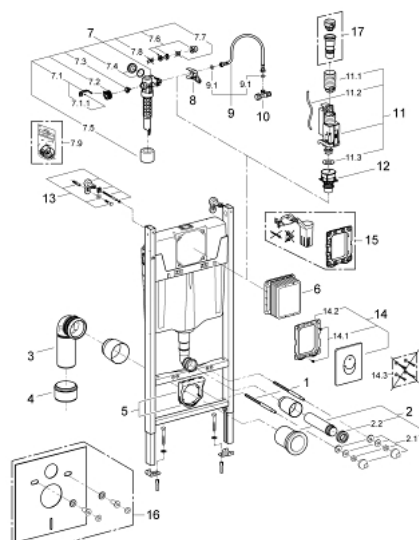


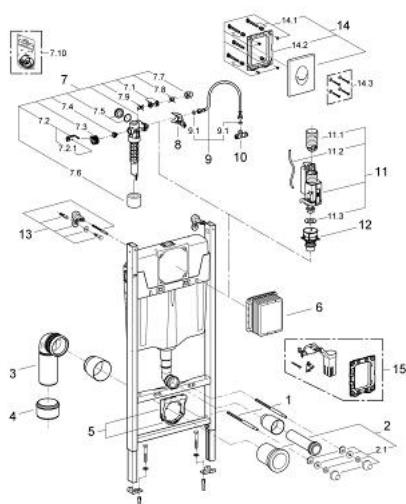
## 38 745 001 **RAPID SL 3-IN-1 SET FOR WC, 1.13 M INSTALLATION HEIGHT**



### SPARE PARTS, March 2013 – now

- 1: Threaded bolt (Order-nr. 4276400M)
  - 2: WC inlet and outlet connecting set (Order-nr. 37311K00)
  - 2.1: Basin fastening (Order-nr. 43511SH0)
  - 2.2: Connector (Order-nr. 37119000)
  - 3: PP-outlet bend  $\varnothing$  90 mm (Order-nr. 42327000)
  - 4: 4" Outlet Adaptor F Rapid SI (Order-nr. 42242000)
  - 5: Support for outlet bend (Order-nr. 42243000)
  - 6: Inspection shaft (Order-nr. 66791000)
  - 7: Filling valve (Order-nr. 37095000)
  - 7.1: Lever (Order-nr. 43734000)
  - 7.1.1: Ball seal dia. 9x6.8 mm (Order-nr. 4377000M)
  - 7.2: Valve head (Order-nr. 43536000)
  - 7.3: Membrane (Order-nr. 4375800M)
  - 7.4: Screw cap (Order-nr. 43735000)
  - 7.5: Valve float, 5 pcs. (Order-nr. 4379100M)
  - 7.6: Repl. kit f. seal (Order-nr. 43722000)\*
  - 8: Support device (Order-nr. 42246000)
  - 9: Tube (Order-nr. 42233000)
  - 9.1: Seat washer (Order-nr. 0319100M)
  - 10: Service valve (Order-nr. 43821000)
  - 11: AV1 complete with pipe extension (Order-nr. 42320000)
  - 11.1: Extension for overflow pipe (Order-nr. 42313000)
  - 11.2: pneumatic hose (Order-nr. 42319000)
  - 11.3: Ball seal dia. 9x6.8 mm (Order-nr. 42310000)
  - 12: Valve seat for flushing cistern Italy (Order-nr. 42316000)
  - 13: Wall union (Order-nr. 3855800M)
  - 14: Wall plate (Order-nr. 38505000)
  - 14.1: Screw dia. 4x52 mm (Order-nr. 6636200M)
  - 14.2: Frame (Order-nr. 43207000)
  - 14.3: Fixing set (Order-nr. 4308500M)\*
  - 14.4: Fixing set (Order-nr. 4215800M)\*
  - 15: Retro-fit set (Order-nr. 38796000)\*
  - 16: Set for noise protection (Order-nr. 37131000)\*
  - 17: 4,5 l Adapter for GD2 (Order-nr. 42333000)\*
- \* Optional accessories

## 38 745 001 RAPID SL 3-IN-1 SET FOR WC, 1.13 M INSTALLATION HEIGHT



### SPARE PARTS, August 2008 – March 2013

- 1: Threaded bolt (Order-nr. 4276400M)
  - 2: WC inlet and outlet connecting set (Order-nr. 37311K00)
  - 2.1: Basin fastening (Order-nr. 43511SH0)
  - 2.2: Connector (Order-nr. 37119000)
  - 3: PP-outlet bend  $\varnothing$  90 mm (Order-nr. 42327000)
  - 4: 4" Outlet Adaptor F Rapid SI (Order-nr. 42242000)
  - 5: Support for outlet bend (Order-nr. 42243000)
  - 6: Inspection shaft (Order-nr. 66791000)
  - 7: Filling valve (Order-nr. 37095000)
  - 7.1: Lever (Order-nr. 43734000)
  - 7.1.1: Ball seal dia. 9x6.8 mm (Order-nr. 4377000M)
  - 7.2: Valve head (Order-nr. 43536000)
  - 7.3: Membrane (Order-nr. 4375800M)
  - 7.4: Screw cap (Order-nr. 43735000)
  - 7.5: Valve float, 5 pcs. (Order-nr. 4379100M)
  - 7.6: Repl. kit f. seal (Order-nr. 43722000)\*
  - 8: Support device (Order-nr. 42246000)
  - 9: Tube (Order-nr. 42233000)
  - 9.1: Seat washer (Order-nr. 0319100M)
  - 10: Service valve (Order-nr. 43821000)
  - 11: AV1 complete with pipe extension (Order-nr. 42320000)
  - 11.1: Extension for overflow pipe (Order-nr. 42313000)
  - 11.2: pneumatic hose (Order-nr. 42319000)
  - 11.3: Ball seal dia. 9x6.8 mm (Order-nr. 42310000)
  - 12: Valve seat for flushing cistern Italy (Order-nr. 42316000)
  - 13: Wall union (Order-nr. 3855800M)
  - 14: Wall plate (Order-nr. 38505000)
  - 14.1: Screw dia. 4x52 mm (Order-nr. 6636200M)
  - 14.2: Frame (Order-nr. 43207000)
  - 14.3: Fixing set (Order-nr. 4308500M)\*
  - 14.4: Fixing set (Order-nr. 4215800M)\*
  - 15: Retro-fit set (Order-nr. 38796000)\*
  - 16: Set for noise protection (Order-nr. 37131000)\*
  - 17: 4,5 l Adapter for GD2 (Order-nr. 42333000)\*
  - 18: Accessory (Order-nr. 38779000)\*
- \* Optional accessories